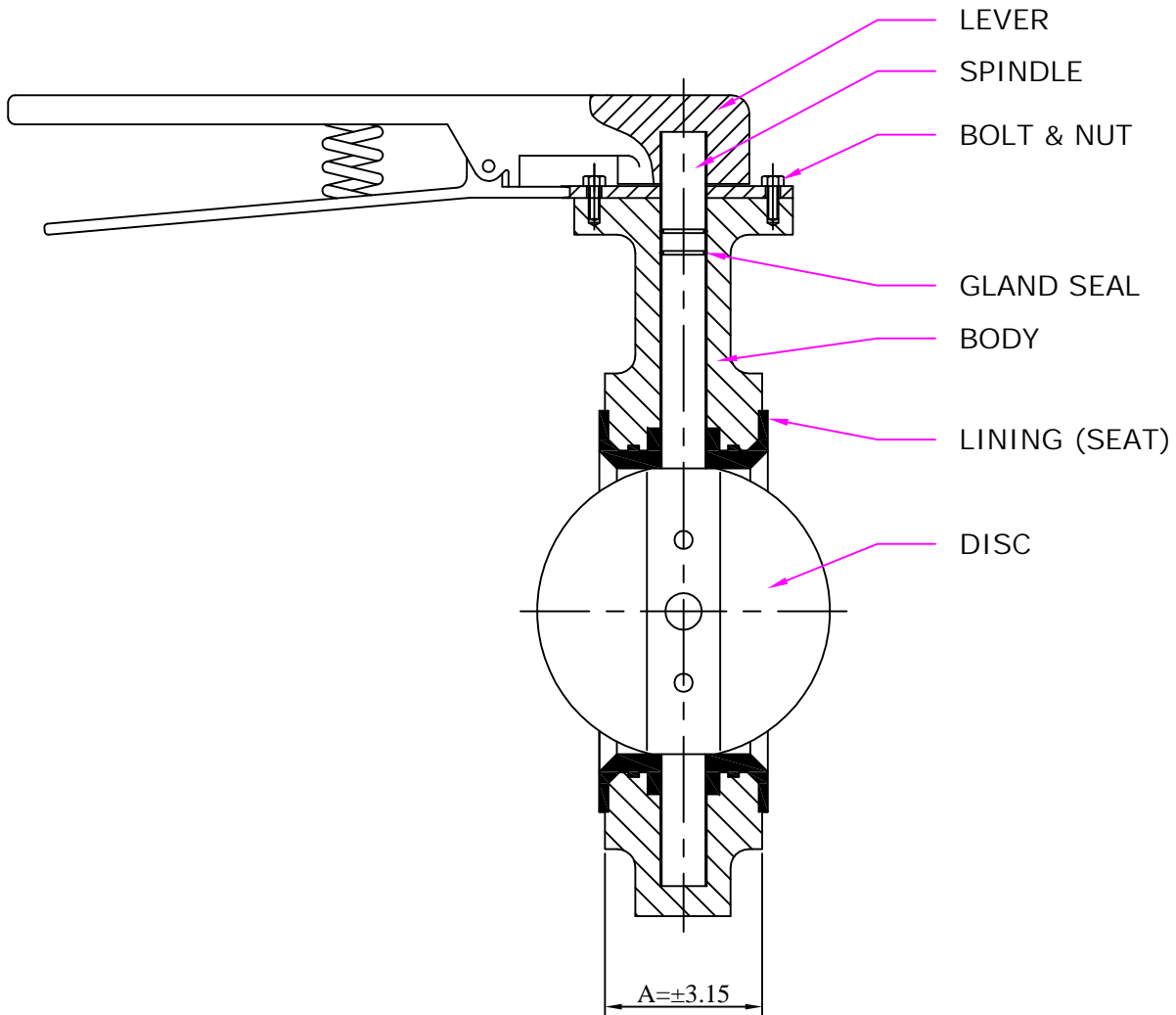


BUTTERFLY VALVE

OPERATION : LEVER OPERATED

APPLI CABLE STANDARD

DESIGN STD. : API 609 / BS 5155
 TESTING STD. : API 598
 FACE TO FACE : AS PER API 609
 RATING : 150#
 OPERATION : HAND LEVER OPERATED
 END CONN. : WATER TYPE, END LESS



VALVE SIZE - INCH	2"	2.5"	3"	4"	6"	8"	10"	12"	14"	16"	18"
VALVE SIZE - MM	50	65	80	100	150	200	250	300	350	400	450
A	43	46	46	52	56	60	68	78	78	102	114



FLOW-TEK VALVES & CONTROLS INC

PLOT NO: 172-173, ROAD NO. 4, G.I.D.C.,
 KATHWADA, AHMEDABAD - 382430
 (M) : 09824080899, 09824539702
 PHONE : (079) 22900220, 22900219
 E-MAIL : info@flowagevalves.com, hemal21386@gmail.com
 url : www.delugecontrolvalve.com, www.flowagevalves.com
 AN ISO 9001:2008 CERTIFIED COMPANY